



www.mypidion.com

Android Business Pad

BP50

User's Manual

- Please read the following warnings before using the product.
- Shapes and colors of the images shown in this manual may differ from the actual products.
- Contents of the manuals may differ based on the software version of products or conditions of the wireless provider.

- This user manual is protected by copyright.
- This user manual has been created by the Bluebird Inc. We have done our best not to create typos, editing errors, and leaving out any information. Please understand if there are any inconveniences.
- This product's program is legally protected. Illegal copying, transmitting, or erasing of the program is prohibited.
- This product's partial functions might have problems from the environment, user program, and other machines.
- The radio equipment can't be used for life saving services because there is possibility to have radio interference and failure.

REGISTERED TRADEMARK



BLUEBIRD is an emerging global brand, striving to lead the market in performance and mobility. Their products represent reliability, innovation, and innovative technology. Pidion is a registered trademark from the global brand of Bluebird Inc. and is copyright protected.

User's guidance

Device type	User's guidance
Class B Device (Household Information and Communication Device)	This device has qualified the electromagnetic wave suitable registration and can be used as a household device at a residential area as well as any other areas.
Type registration	This wireless device may cause propagation interference, and so, it cannot be used for life-saving services.

※ Please read warnings and cautious before use.

FCC (Federal Communications Commission)

This device complies with Part 15 of the FCC's Rules. Operation is subject to the following two Conditions:

1. This device may not cause harmful interference, and
2. This device must accept any interference received, including interference that may cause undesirable operation.

This device complies with part 15 of the FCC Rules. Operation is subject to the condition that this device does not cause harmful interference.

The antenna must be installed such that 0 cm is maintained between the antenna and users, and the transmitter module may not be co-located with any other transmitter or antenna.

End users cannot modify this transmitter device. Any Unauthorized modification could void the user's authority to operate this device.

Part 15.105 (B)

Note : This equipment has been tested and found to comply with the limits for a Class B digital device, pursuant to part 15 of the FCC Rules. These limits are designed to provide reasonable protection against harmful interference in a residential installation. This equipment generates, uses and can radiate radio frequency energy and, if not installed and used in accordance with the instructions, may cause harmful interference to radio communications. However, there is no guarantee that interference will not occur in a particular installation. If this equipment does cause harmful interference to radio or television reception, which can be determined by turning the equipment off and on, the user is encouraged to try to correct the interference by one or more of the following measures:

- Reorient or relocate the receiving antenna.
- Increase the separation between the equipment and receiver.
- Connect the equipment into an outlet on a circuit different from that to which the receiver is connected.
- Consult the dealer or an experienced radio/TV technician for help.

Modifications not expressly approved by the manufacturer could void the user's authority to operate the equipment under FCC rules.

FCC 15.407 (g) states

Manufacturers of U-NII devices are responsible for ensuring frequency stability such that an emission is maintained within the band of operation under all conditions of normal operation as specified in the users manual.

Since this is an Indoor Only device (required for this band) you do not need to worry about the extreme frequency Stability over wide temperatures, but you can show that the frequency Generation portion of this device (from the schematic) has its own stated stability that would never allow the device to generate emissions or part of the spectrum outside of the authorized band (can be determined by looking at the Occupied BW plots to see how much margin to the band edge is available).

If the devices in the future use the other higher frequency UNII bands, and the devices can be used outdoors, you may need to provide details of stability over a much wider temperature range (depending on the use conditions stated in the manual).

Most compliance for this requirement is stated from the specification of the frequency generation portion of the device and not necessarily through additional testing.

CE

Hereby, Bluebird Inc. declares that this BP50 is in compliance with the essential requirements and other relevant provisions of directive 1999/5/EC. Use only power supplies listed in the user manual.

Adaptor Info

- Manufacturer : K-tect (Switching Power Supply)
- Model : KS038405
- Input : 100-240~0.4A, 50~60Hz
- Output : 5V / 3.0A

Warning label (IEC 60417-6044)

To prevent possible hearing damage, do not listen at high volume levels for long periods.



Contents

Notice Before Using Device	5
Precautions Before Using Battery	6
About the product	
1. Checking components	7
2. Checking names of parts	8
3. Features	9
Learning Basics	
1. Insert / Remove the battery	10
1-1. Insert the battery	10
1-2 Remove the battery	11
2. Insert / Remove the USIM card	12
2-1. Insert the USIM card	12
2-2. Remove the USIM card	13
3. Insert / Remove the microSD card	14
2-1. Insert the microSD card	14
2-2. Remove microSD card	15
4. To Connect the BP50 Power	16
5. About battery	18
Value Pack	
1. LCD Protect Flim	19
2. Smart Plug	21
Device Specifications	28
Q & A	29
Service Center	30
Warranty Certificate	32

Notice Before Using Device



This information is for your own safety.
Please observe the following precautions.

- This device is qualified for the standard of the safety of human body against electromagnetic wave. For your own safety, please use certified devices provided by headquarter.

If not the case, we cannot guarantee your safety.

- Do not press power button on the device if the device is wet or do not touch adapter or power cord with wet hands. There is risk of electric shock.
- Do not remodel, take apart, or repair the device. Please refer to your customer service center.

If not the case, you will not be able to get your free repair service.

- Please follow instructions when using the battery.
- Do not use your device at an explosive danger zone.
- In case your device is wet, do not put your device in heaters, microwaves, or etc to dry- there is a risk of explosion or it can be the cause of malfunction.
(Please note there is a label in the device that changes color when it gets wet. In this case you will not be able to get your free repair service.)
- Do not use your device when boarding a plane or inside of hospitals.

During the repair or upgrade, there is a slight possibility of your data being erased.
(Ring tones, text/voice message, characters will be reset.)

- Please refrain from using your device while driving. If you are in an unavoidable situation, stop your vehicle or use your hand free kit.
- Do not use in places of high temperature and high humidity. The following can be the causes of malfunction: getting wet from the rain, spilling drinks, and taking it in with you at the sauna (high temp.)

In these cases, you cannot receive your free repair service.

- Do not place credit cards, phone cards, bankbook, and tickets next to the device. The magnetic forces of the device can damage the information of listed item.
- Please avoid impacts or vibrations. When the device is not in use, unplug the power cord and place it at a safe place where it won't drop.
- Do not place your device at a dusty place. Keep your power cord away from any heating devices. Unplug the power cord when cleaning. If there are any dusts or residue clean the power cords pins thoroughly.
- When a battery is not in use for a long time, please charge and store it at room temperature. Even for fully charged battery, the lifetime can be decreased because of its own properties of voltage decrease.
- Do not paint your device. It can damage your screen or your device's exterior. Also, the paint can peel off and it triggers allergies. If there is allergic reaction, please find medical advice.

Precautions Before Using Battery



These are safety precautions in order to prevent a dangerous accident.
Please use the battery correctly and carefully observe the instructions.

- If the battery is taken apart by impact, applied heat, submersion, or hole-drilling, there is a risk of a dangerous explosion. Please keep away from children and animals.
- Leaving the battery in the vehicles under direct sunlight or any enclosed space with hot temperature can deform or break down the battery.
- Please do not make any improper contact on battery contact pin with necklaces, coins or any electric conductors. Do not give any impact by sharp object. There is a risk of explosion.
- Please use only the designated battery for the device.
If the original battery is not used, the life of the device may decrease and there is a risk of explosion. (In this case you cannot receive the free repair service)
- When charging the battery, you must use the supplied standard power adapter.
If the original adapter is not used, the battery life may decrease and may explode. (In this case you cannot receive the free repair service)
- Risk of explosion if battery is replaced by an incorrect type.
Dispose of used batteries according to the instructions.

1) Instructions regarding replacement batteries if the batteries are replaceable by the user.

2) A lithium ion battery pack shall be marked with the following or equivalent:

“CAUTION: Risk of Fire and Burns. Do Not Open, Crush, Heat Above (50°C). Follow Manufacturer’s Instructions.”

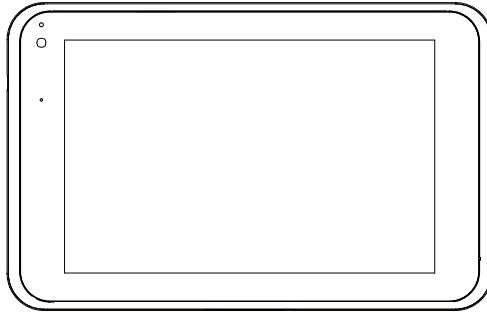
This wording or equivalent shall also be included in the instructions packaged with the battery pack.

About the product

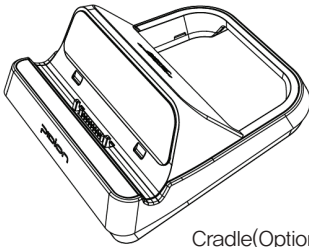
1. Checking components

The images in this User's Manual may not reflect the color and shape of the actual product.

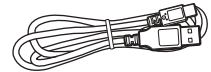
Please contact the Customer Care Center if you wish to purchase any additional or optional products.



BP50 Main Body



Cradle(Optional)



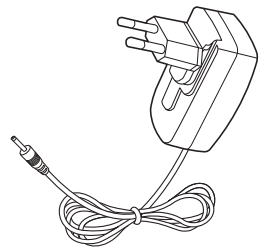
USB Cable (Optional)



LCD Protect Film(Optional)



Snap-On(Optional)

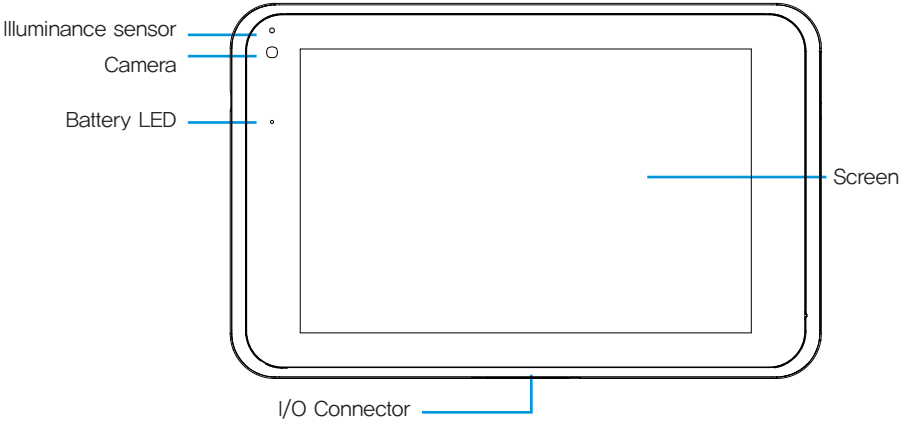


Adaptor(Optional)

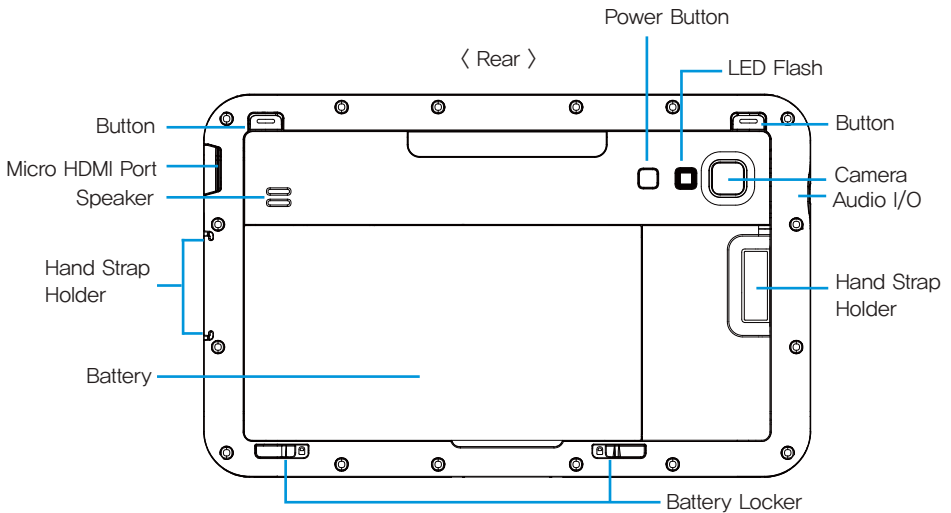
About the product

2. Checking names of parts

< Front >



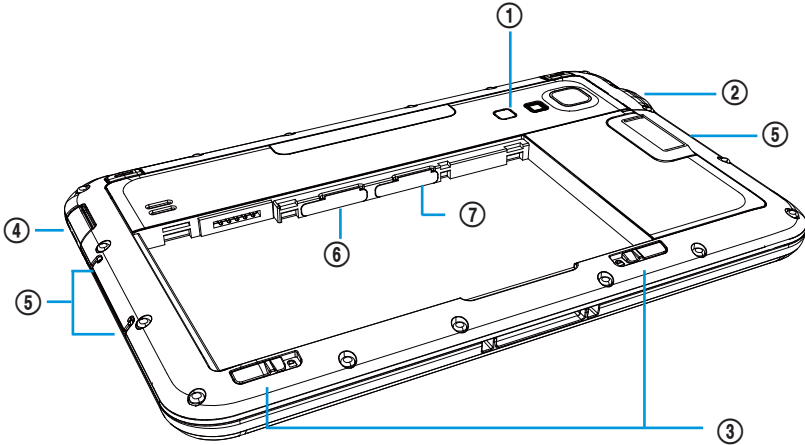
< Rear >



About the product

3. Features

The front panel includes the following features:



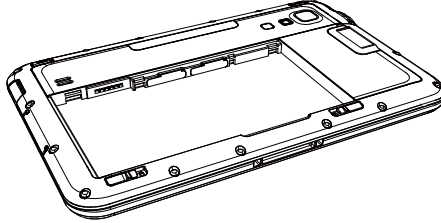
Item	Description
1. Power Button	Turns on the device
2. Audio I/O	Can connect headphones and speakers, or other audio devices. Compatible (3,5mm jack)
3. Battery Locker	Remove the battery, or when mounting.
4. Micro HDMI Port	Digital audio and video devices can be connected. Support to Micro HDMI (type D).
5. Hand Strap Holder	Can be connected to a hand strap.
6. microSD Slot	External memory card slot
7. USIM Slot	USIM card is inserted, the wireless network operators to provide broadband network if necessary, can be used.

Learning Basics

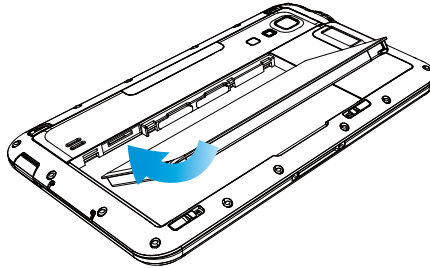
1. Insert / Remove the battery

1-1. Insert the battery

①

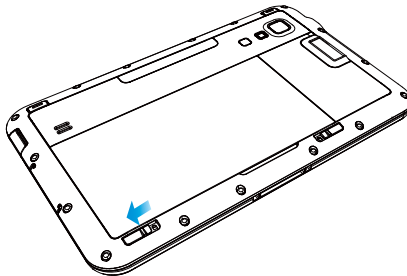


②



Push your battery in the direction of the arrow.
Please make sure to prevent reverse battery terminal position.

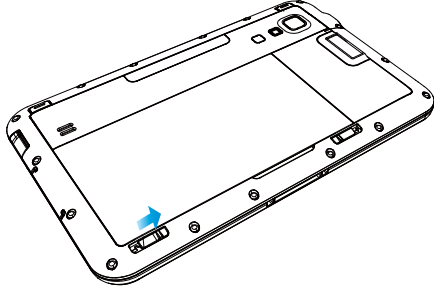
③



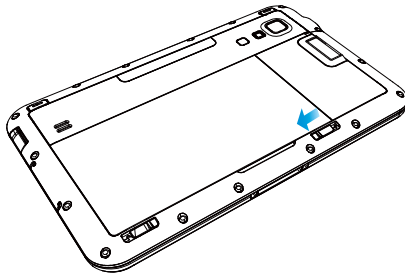
.Always use the special adapter provided with the product,
Please charge the battery in the charger.

Learning Basics

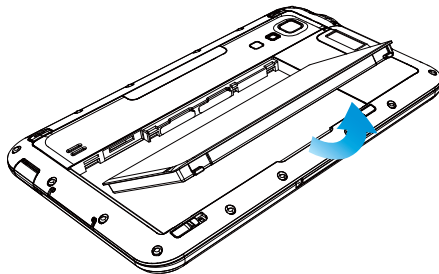
1-2. Remove the battery(Switch off BP50)



① Push your left battery locker in the direction of the arrow.



② Push your right battery locker in the direction of the arrow.

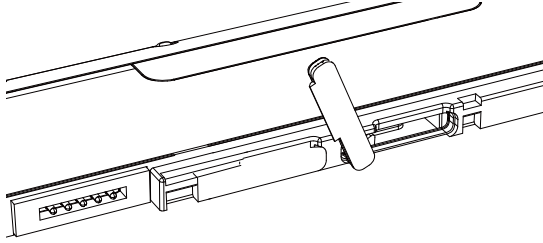


③ push the right battery locker, Lift the battery in the direction of the arrow.

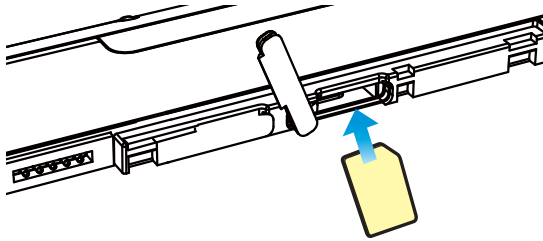
Learning Basics

2. Insert / Remove the USIM card

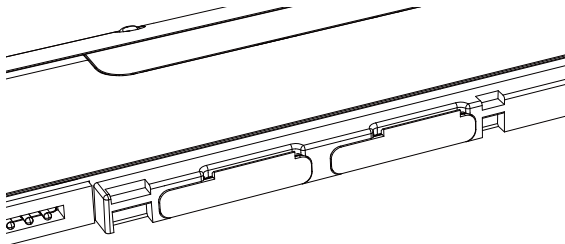
2-1. Insert the USIM card



① Open the USIM card cover.



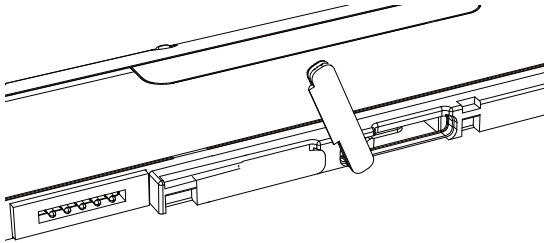
② Slide out the USIM card in the arrow direction.



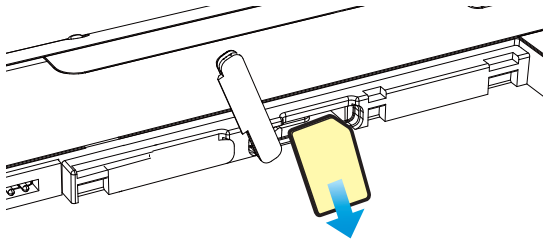
③ Close the USIM card cover.

Learning Basics

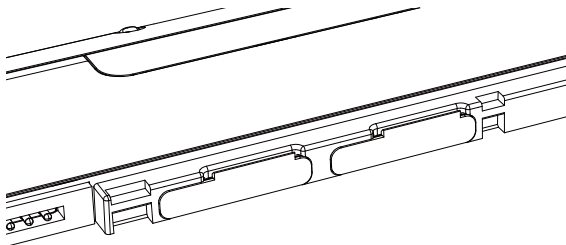
2-2. Remove the USIM card



① Open the USIM card cover.



② USIM card in the direction of the arrow and pull it out.

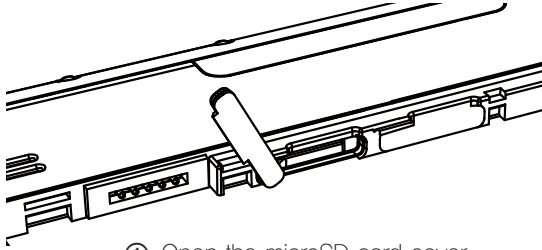


③ Close the USIM card cover.

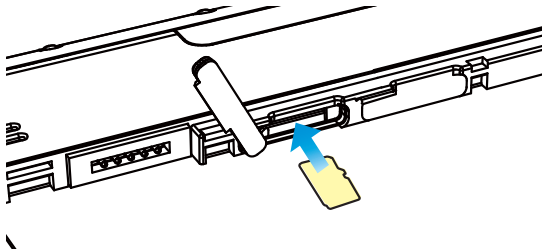
Learning Basics

3. Insert / Remove the microSD card

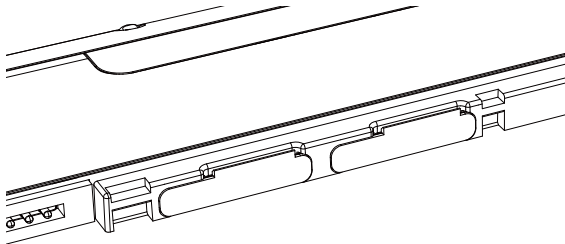
3-1. Insert the microSD card



① Open the microSD card cover.



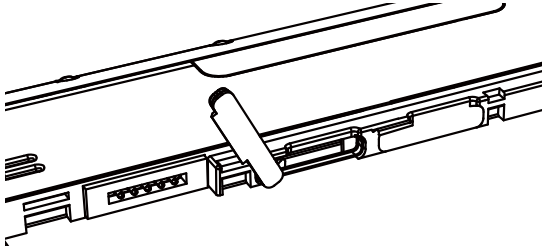
② Slide out the microSD card in the arrow direction.



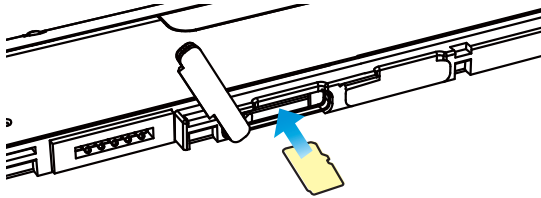
③ Close the microSD card cover.

Learning Basics

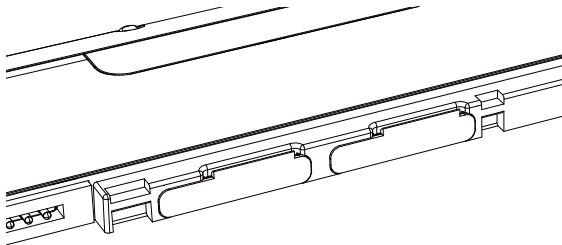
3-2. Remove microSD card



① Open the microSD card cover.



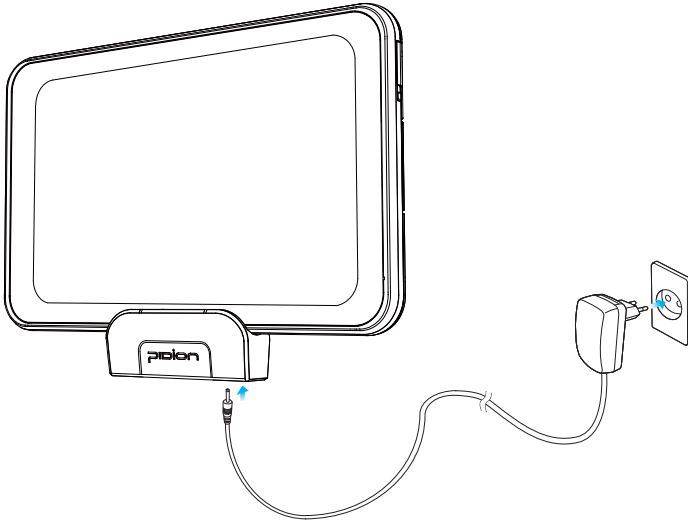
② microSD card in the direction of the arrow and pull it out.



③ Close the microSD card cover.

Learning Basics

4. To Connect the BP50 Power (Snap-on)



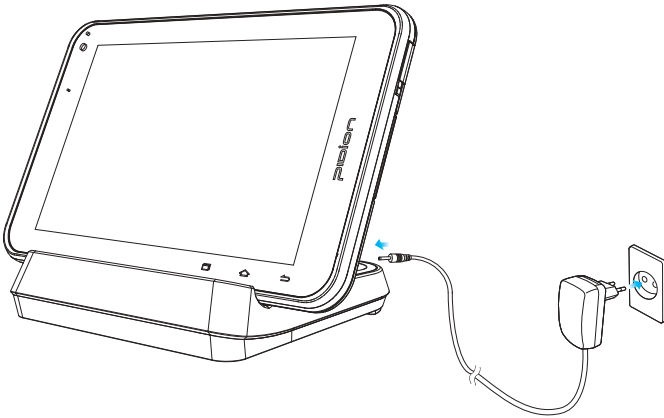
As you see in the picture, connect the adapter to snap-on.



- When The battery of the device is low, it may warn you with a ring and a message.
- The charging time can vary depending on the environment. A new battery is only partially charged. Please charge fully before using.

Learning Basics

4. To Connect the BP50 Power (Cradle)

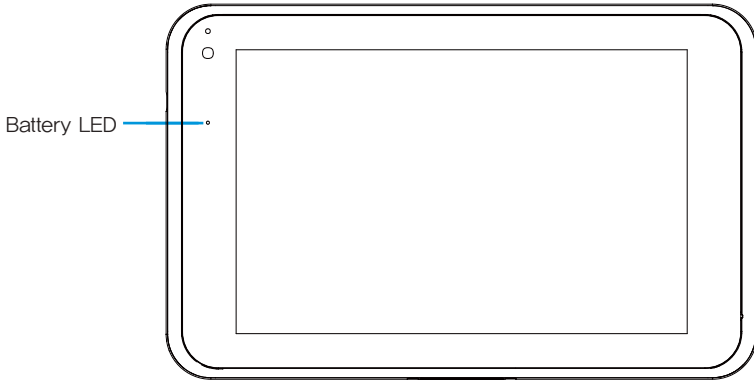


Connect the adapter with the Cradle.



- When The battery of the device is low, it may warn you with a ring and a message.
- The charging time can vary depending on the environment. A new battery is only partially charged. Please charge fully before using.

5. About battery



Charging status indication

	Power Off	Sleep	Power On
Not Charging	off	green blink	green
Charging	red	orange	red
Charging finished	green	green	green

- ※ The charging indication lamp on the desktop charger and the terminal are switched to green when charging is finished. The battery will not be damaged if charging is continued.
- ※ The time required for charging is depending on the charging status. If the charging time gets shorter by half, you need to purchase a new battery.

Value Pack

1. LCD Protect Film

1. Components



LCD Protection Film



Manual



Plunger



Cleaner

Value Pack

2. Manual

► Caution

Before application

Choose a dust-free place to apply the film,
Wash your hands and clean your LCD perfectly.
Adhesive side protection vinyl is only to be removed right before applying the film on your LCD,

During application

Be careful not to stain the adhesive side with dirt like dust or fingerprint.
In case the adhesive side is stained, cleaning it with water will make the film unusable,

After application

White spots or white scratches may be seen after application,
Unless they appear because of dirt, the spots or lines disappear within 24 hours as adhesive substances stabilize,

Due to the product's nature, it is not exchangeable or refundable even when the application was not successful,

► How to apply the protective film



Step1 Check film size and Clean your LCD

Place the film on your LCD to check its size and think how to apply it on your LCD,
Align the protective film to the screen edges to make sure the film is adhered at the center of your LCD,

Clean the surface using the cleaner included to avoid dust or hairs,
No single dirt should be left,

Step2 Remove one third of the adhesive side protection vinyl and Start application

Remove about one third of the adhesive side protection vinyl, and accurately adhere the protective film from left to right on the upper part of your LCD,
Remove the protection vinyl little by little while applying the film on your LCD,
The parts of film from which the adhesive side protection vinyl is removed will naturally be attached to the LCD,

When air bubbles appear, lift the film a little bit and reapply it, or use soft cloth to press any bubble trapped inside out towards the edges,

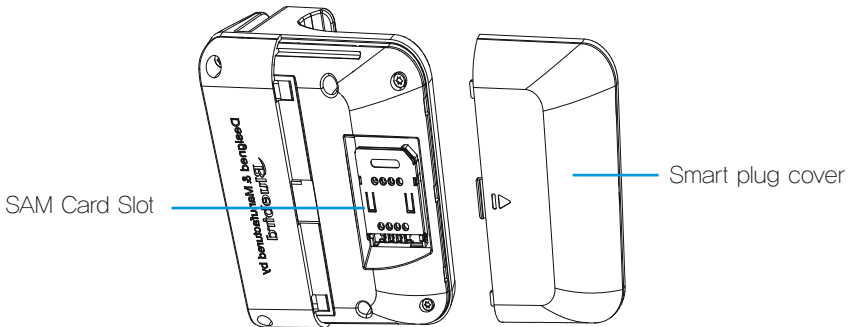
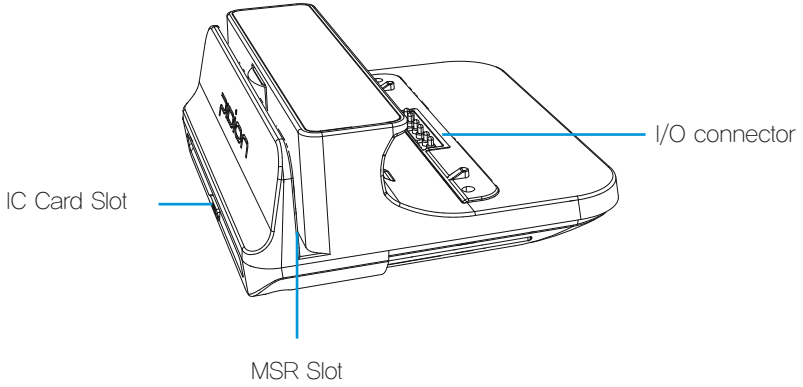
Tip In case any dust or dirt is trapped between the film and the screen

Attach a piece of transparent tape on a corner of the LCD and lift up the tape (therefore the film) slowly,
Remove the dust from the adhesive side with another piece of transparent tape,
Be careful not to stain the adhesive side of the film with any dust, dirt or transparent tape's adhesives,

Value Pack

2. Smart Plug

1. Checking names of parts



Value Pack

2. Assembly

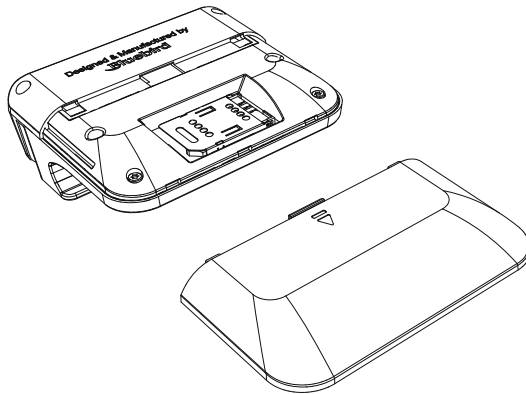
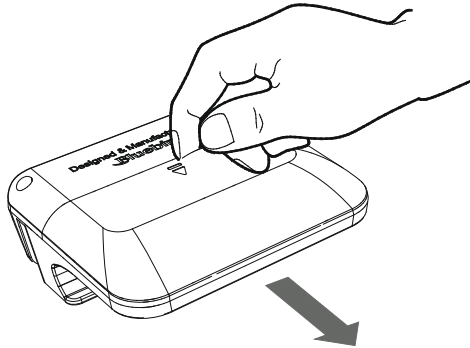


Figure : Remove the Smart plug cover.

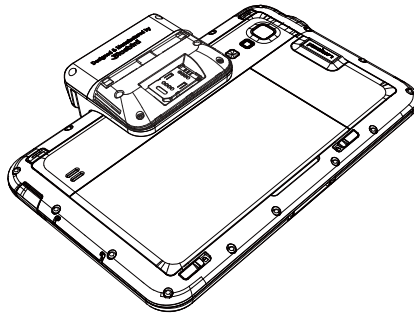
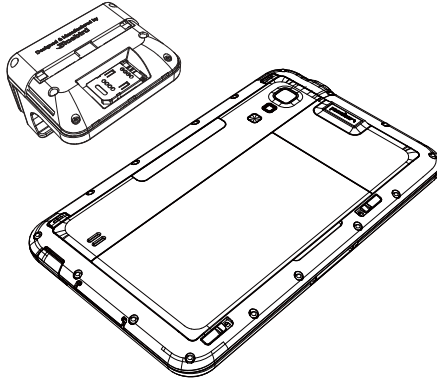


Figure : Insert as shown in the figure.

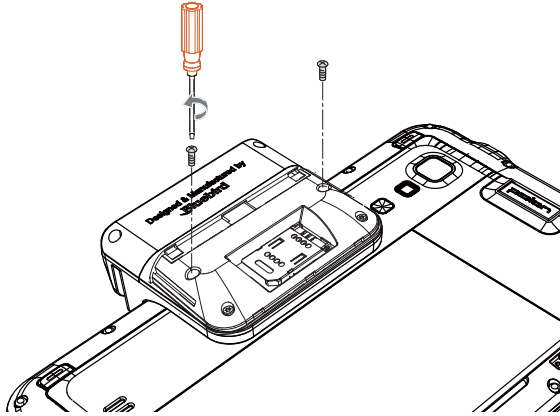


Figure : Assemble in with the Screw,

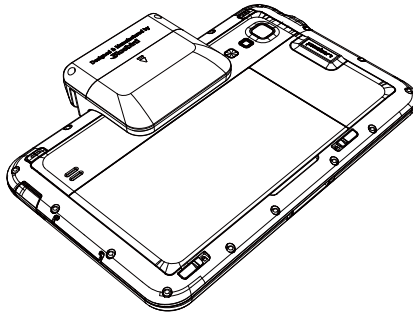
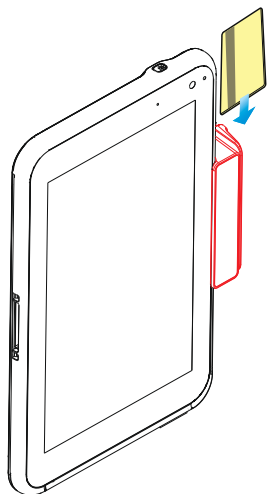


Figure : Close the cover to complete the assembly,

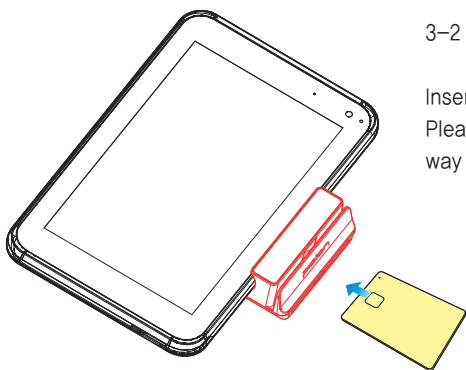
Value Pack

3. Paying with card



3-1 Paying with MSR

The card can be swiped in both directions.
Please swipe the card.

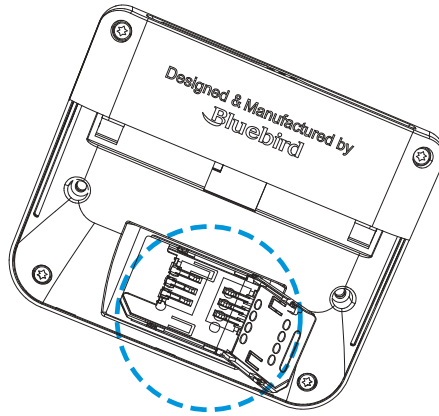


3-2 Paying with IC Card

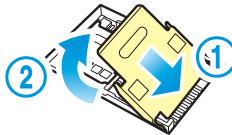
Insert IC card. IC chip needs to go in first.
Please make sure that insert the card all the way in.

Value Pack

4. SAM Card

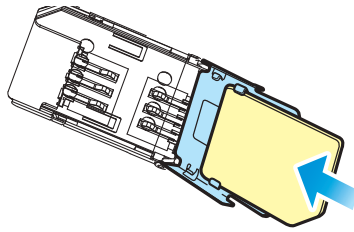


4-1 Insert the SAM card

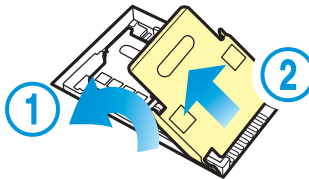


Push the SAM card holder to 'OPEN' direction then lift up.

Value Pack

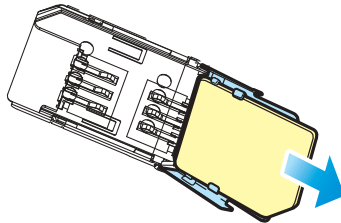


Slide in the SAM card in the arrow direction,



Push the SAM card holder to 'LOCK' direction then down,

4-2 Remove the SAM card



Remove the SAM card to the Arrow direction,

Device Specifications

Physical Characteristics	
Dimensions (W x H x D)	198 x 125 x 13.5 mm / 7.7 x 4.9 x 0.5 inch
Weight	462g / 1lb (Including battery)
Display	Eyelluminate™ Display; 7-inch LED-backlit widescreen Multi-Touch display with IPS technology; 1280 x 800 pixel; Crystal Clear View at all Angles(even under direct Sunlight); Covered with Anti FingerPrint Coated Corning® Gorilla Glass®
Keypad	Virtual
Battery	Replaceable & rechargeable 14.8-watt-hour(4,000mAh) lithium-polymer battery; Beyond 12 hours Battery Life
Expansion Slot	User-accessible MicroSD slot for removable memory card up to 32G
SIM/SAM Slot	1 SIM
Audio	Loud Speaker and microphone
Camera	Rear: 5 megapixel Autofocus LED Flash; Video recording, HD with audio; Front: 2 megapixel; Webcam
GPS	Autonomous GPS, Assisted GPS, Electronic Compass
Sensor	Gyroscope; Motion Sensor; Ambient Light Sensor
Performance Characteristics	
Processor	Powerful Dual Core Processor
OS	Android 4.0
Memory	1GB
Storage	16GB Flash
Interface	Docking connector, 1 Micro HDMI
User Environment Characteristics	
Durability	TankSmith™ Technology; IP65 Sealing; Multiple 1.2m/4ft. drop per MIL ST D 810G; Multiple 1.8m/6ft. drop per MIL ST D 810G(Applying the Rugged Plug)
Vibration	4Gs peak, 5Hz to 2kHz, 1 hour duration per axis
Operating Temp	-20°C to 60°C / -4°F to 131°F
Storage Temp	-25°C to 70°C / -13°F to 158°F
Humidity	95% non-condensing
ESD	+/-15kv Air, +/-8kv contact, +/-2kv charge body
Disinfectants Suggestion	91% Isopropyl Alcohol + 9% Water; Alcohol Prep Pads; Alkyl Diamino Ethyl Glycine Hydrochloride; Ammonium Chloride; Anios D.D.S.H; Cavi Wipes; Ethylene Glycol; Hexanios G+R; Iodophors; Klercide B; POVIDONE IODINE; PVP-I Prep Pads Triad; SANI-CLOTH HB; SANI-CLOTH PLUS; Sodium Hypochlorite; SUPER SANI-CLOTH; SURFA'SAFE Virkon; Viraquard
Integrated Radio Options	
WWAN Radio	Optional, 4G LTE, HSPA+ /HSPA/UMTS, EDGE/GSM
WLAN Radio	Optional. 802.11a/b/g/n Wi-Fi (802.11n 2.4GHz and 5GHz) with Rigorous Security in Full Support: WPA, WPA2, 802.1X,WEP, AES-CCMP, TKIP
WPAN Radio	Optional, Bluetooth V2.1 + EDR
NFC	Optional, NFC(Near Field Communication), All Types Supported(MIFARE/CALYPSO/FELICA/ETC.); ISO21481 (NFCIP-2), TypeA, Type B
Security Characteristics	
Security	Stonewall Security™
peripherals	
Options	Smart Plug (Available Options): Magstripe Reader(w/ JIS2 Option), Smartcard Reader, 1D/2D Barcode Scanner, SAM Slot;Rugged Plug; Snap-On: USB Client, USB Host, Power Jack; 1Slot Cradle; 4Slot Battery Toaster; Vehicle Mount; Hand Strap;Blue-Pen



Please ask your sales representative for the specs not listed above.

Q & A

Q Water went into my device. What do I do?

A First, remove the battery from the device and completely dry them in a dry place.

After drying for a good period of time, try to turn it on. If it still does not turn on, the main-board or other parts needs to be replaced.

Please contact to your service center.

Q The BP50 won't turn on.

A The program may be damaged. Please try resetting your device. If it still doesn't work, Please contact the service center.

Q The BP50 won't charge.

A A Make sure the power cable and your device have been properly connected.

Try to clean the charging terminals. If they still do not work, your battery life might be finished or it may be a broken battery. (The battery warranty lasts for 6 months)

Q How do I get the repair service?

A You can send the device via a delivery service to headquarter. When sending the package, make sure you pay for the shipping fee in advance.

When the repair is finished, headquarter will cover the shipping cost.

Q My battery drains very quickly.

A The battery can be drained quickly when the Wi-Fi or Bluetooth is turned on.

If it drains quickly regardless of using the options above, please purchase another battery.



• If you have done the above and the device still does not work, please contact to the service center.

• After the 1 year warranty the repair service will be charged.

Service Center

Before Requesting After-Sales Service

Before asking for after-sales service, please back up the data from the terminal. We do not back up data from the products received in the Customer Care Center. Therefore, we assume no responsibility for loss/deletion of data.

Bluebird Customer Service

- FAX : +82-2-548-0870
- E-Mail : mookseven@bluebird.co.kr
- Address : Customers service center, SSang-young IT twintower B 703,
Sangdaewon-dong 442-5, Joongwon-gu, Sunnam-si, Keonggi-do,
Korea

Operating hours

- Mon.-Fri. : 9:30 A.M. ~ 6:30 P.M. (GMT Time: +9 Hours)
The center is closed on Saturdays, Sundays and holidays.

Registering for After-Sales Service

- We receive the products for after-sales service through mail, delivery service and hand carry only in principle.
- If you bought the product from any party other than the authorized dealer, you need to register the product before asking for after-sales service.
- Please enclose an evidence of purchasing or the receipt to the product for after-sales service.
- Please enclose the name, telephone number, address and symptom for prompt service.
- You can ask for after-sales service through the dealer or the Customer Care Center in the head office.
- Do not intentionally damage the label on the product.
- Damaged label may result in a disadvantage to the customer.
- When you return the product to Bluebird for service, please put the product in a protective box.
- Warranty will not be provided for any damage occurring during delivery. We recommend you to use the box and protective cover supplied with the product.
- Make sure to deliver the product in a safe way. Bluebird assumes no responsibility for loss of the product during delivery.

Service Center

Charged Service

1. If it is not a default, it will be charged when requesting for after-sales service.
 - Service request due to inappropriate use of the customer
 - Loss of a PIN number
 - Use of programs that might effect the program (over-clock, forceful changes in the input of the system, personal developments)
2. Default due to a mistake on the part of the customer
 - Default due to inappropriate or careless use of the product (dropping, submersion under water, shock, damage, unreasonable operations, etc).
 - Default due to a repair or unauthorized technician.
 - Default caused intentionally or by carelessness of the customer.
 - Default due to the use of fraudulent parts or components.
3. Other cases
 - Default due to nature (fire, damage due to sea wind, flood damage, etc.).
 - Expendable parts have exhausted there life (batteries, antenna, or other component parts).
4. Regulations of treatment after charged service
 - If the same default occurs on the part that had been repaired within a 2 months(60 days) period, it will be provided with free of charge repair service.

There will be no returning of goods or repayment upon the following situation



- Removal of the sealing of the product if it had been sealed.
 - If the product has been damaged due to careless use by the customer or due to a natural disaster (floods, rain, fire, etc.).
 - Loss of product or other components (CD, diskette, manual, connecting cables, etc).
 - Damage to the product after 10 days of purchase, the product will either be exchanged or provided with after-sales service (note, returning of goods or repayment is not allowed).
-

Warranty Certificate

Thank you for purchasing a product from Bluebird Inc.

- If a circumstance arises where you lose a receipt or the certificate of guarantee, then the term of guarantee will be calculated 3 months (certified by the number of the manufacture, a certificate of inspection) after the date of manufacture.
- In case of accessories (such as batteries), only those that match the sales list managed by the service center will be eligible for customer service.
- A repair or an exchange of batteries that does not match the sales list of the service center due to the carelessness of the customer will be fully charged.

Name of Product	Android Business Pad
Name of Model	BP50
Date of Purchase	
Manufacture Number	
Place of Purchase	
Term of Guarantee	1 year from purchase

Warranty

1. Bluebird Inc. (hereinafter referred to as Bluebird) provides the warranty service for its products in compliance with the regulations on compensation for damage of customer.
2. Upon receiving a notification on a defect of its product within the range of warranty during the warranty period, Bluebird will repair or replace the defective product according to its warranty policy.
3. If the defective product within the range of warranty is not repairable or replaceable, Bluebird shall refund the purchasing price within a designated period from the date of receiving a notice of defect.
4. Bluebird assumes no responsibility for repairing, replacement or refund until it receives the defective product from the customer. The replacement shall be equivalent to a new product in the aspect of performance.
5. Warranty of Bluebird is valid in the countries where the Bluebird products are distributed by Bluebird. (Contract for additional warranty service like field service)
6. Bluebird products may contain the recycled products, components or materials equivalent to new products in the aspect of performance.
7. This warranty is applied to software products only when the programming commands are not executed. Bluebird does not guarantee interruption-free or error-free performance.



Customers Service Center

Hours

Mon. ~ Fri. : 9:30 A.M. ~ 6:30 P.M.
(GMT Time: +9 Hours)

We are not open on Saturday,
Sundays and National Holidays.

Address

Customers service center, SSang-young
IT twin tower B 703, Sangdaewon-dong
442-5, Joongwon-gu, Sungnam-si,
Keonggi-do, Korea

Bluebird constantly strives to bring
utmost satisfaction to all our customers.